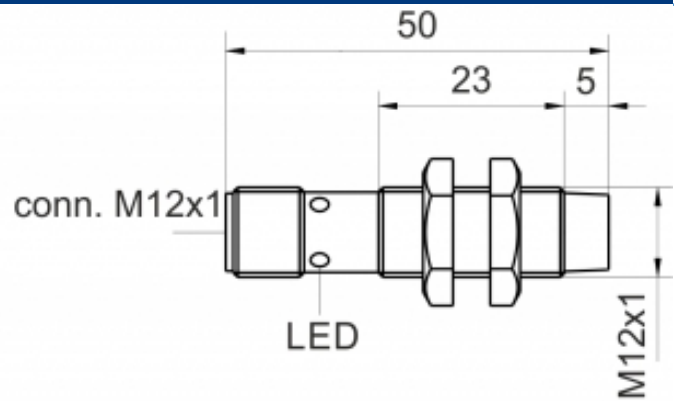
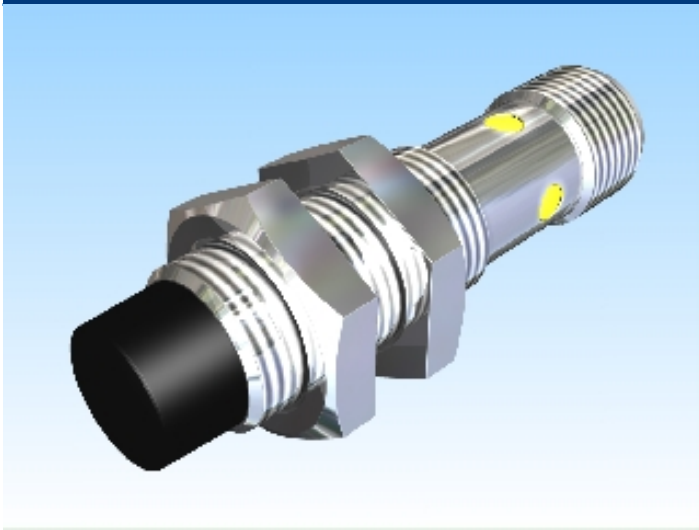


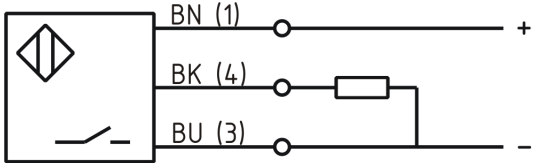


[Article Page](#)

Product Description

inductive sensor DC



Name	KJ4-M12MN50-DPS-V2
Order number	08317624232
Matchcode	9962-4232
Switching distance	4 mm
Mounting	 non shielded
Switch type	 N.O.
Signal Type	DC PNP
Connection	connector M12
Connection diagramm	

Dimension (in mm)	fine-pitch thread M12 x 50
-------------------	----------------------------

Technical Specification

Operating voltage	10 - 30 VDC
Max. ripple	≤ 10 %
Voltage drop	2,4 V
Max. load current	200 mA
No load current	≤ 13 mA
Leakage current	≤ 10 µA
Switching frequency	1000 Hz
Switching hysteresis	≤ 15 %
Operating temperature	-25 ° C to 70 ° C

Temperature drift	≤ 10 %
Repeat accuracy	≤ 5 %
Swiching state	LED
Time delay	300 ms
Short-circuit proof	yes
Overload protection	yes
Reverse voltage protection	yes
Protection category	IP67
EMC-level	DIN EN 60947-5-2: 2008
Housing material	Brass, nickel plated
Material active face	Pocan KU 2-7503/1 + Batch RAL 9004LS
Utilisation category	DC 13
Contact material	Cu
Contact surface material	NiAu
Contact holder	Makrolon 2405 farblos
Termination	Connector M12 4pin
FIT / MTTF acc. SIEMENS 29500	51,30 / 2225y

Errors and omissions exceptet