

## TL Tower Lights

TL30 (30mm) TL50 (50mm) TL70 (70mm) TL90 (90mm)

### Features

- Modular design allows for combinations as needed
- Replaceable LED bulb
- Modules can be assembled within seconds
- LED lights provide long life up to 50,000 hours maintenance free.
- Four sizes (30mm, 50mm, 70mm and 90mm diameter) for different size machines
- Steady and flashing mode can be switched as needed with the same module
- Wide range of audible elements including high dB siren



### CHARACTERISTICS

Ambient Air Temperature	Storage	-40 to +158 °F (-40 to +70 °C)
	Operation	-13 to +122 °F (-25 to +50 °C)
Electric Shock Protection conforming to IEC 536	Tube mounting	Class 1
	Direct mounting on base unit	Class 2
Degree of Protection	To IEC 60529 and NF C 20-010 To UL 50 and CSA 22.2 No. 94	IP 65 Type 1, 12, 13
Material	Illuminated lens unit	Polycarbonate UL 94-V2
	Base unit and top cover	ABS + Polycarbonate UL 94-V2
	Ring on lens and base	Polyamide
	Tube mounting	Aluminum
Conforming to standards	Tulip	ABS + Polycarbonate
	CE Marked	IEC/EN 60947-5-1. UL 508

### Electrical Characteristics

Rated Insulation Voltage (UL)	Conforming to IEC 60947-1	250 Vac
Consumption	LED unit (50,000hours)	24 Vac/Vdc: < 0.1A 120-230 Vac: < 50 mA
	Audible sounder units (20,000hours)	24 Vdc, 15 mA; 120 Vac, 15 mA; 230 Vac, 15 mA
Rated Impulse withstand voltage	Conforming to IEC 60947-1	U imp = 4 kV
Audible sounder units	Signal	At one meter: 85-105 dB
Terminal marking	Common	1 terminal marked -/N
	Depending on type of units	1 to 5 terminals marked 1+/L to 5+/L
	Ground	Marked with grounding symbol
Cable size	Maximum wire size	2 x #16 AWG (1.5 mm <sup>2</sup> ) with cable end
Terminals	Torque requirement	Removable and captive screw terminals: 4.4 lb-in (0.5 Nm)

### Selection Guide (Complete Assembly):

<b>TL30</b>	-	<b>L</b>	<b>24</b>	-	<b>RAG</b>	-	<b>S</b>	<b>80</b>
Diameter		Type	Voltage		Modules		Mounting Base	Mounting Base
30: 30mm		L: Stackable module	12: 12V		Stacking Sequence (top to bottom)		(Refer to Accessories)	Pole Length (mm)
50: 50mm		A: Single lens	24: 24V		A: Steady Amber	T1: Strobe Red		E1: LED Strobe Red
70: 70mm			120: 100-120V		G: Steady Green	T2: Strobe Amber		E2: LED Strobe Amber
90: 90mm			240: 220-240V		C: Steady Clear	T3: Strobe Green		E3: LED Strobe Green
			U120: 12-120V		U: Steady Blue	T4: Strobe Blue		E4: LED Strobe Blue
			U240: 12-240V or 48-240V		M3: 3-color(RAG) Clear Lens	T5: Strobe White		E5: LED Strobe White

## TL Tower Light

TL30 (30mm) TL50 (50mm) TL70 (70mm) TL90 (90mm)

### COMPONENTS



TL30



TL50/TL70/TL90

#### Base Units with Cover (for direct or tube mounting)

Description	Color	Catalog Number			
		30mm	50mm	70mm	90mm
Cover	Black	TL30-A01	TL50-A01	TL70-A01	TL90-A01
Cover (for Buzzer)	Black		TL50-A02	TL70-A02	TL90-A02
Base Unit		TL30-B01	TL50-B01	TL70-B01	TL90-B01

#### Illuminated Lens Units (Steady or Flashing)

Voltage	Color	Catalog Number			
		30mm	50mm	70mm	90mm
24VAC/DC	○ -Clear	TL30-L24-C	TL50-L24-C	TL70-L24-C	TL90-L24-C
	● -Green	TL30-L24-G	TL50-L24-G	TL70-L24-G	TL90-L24-G
	● -Red	TL30-L24-R	TL50-L24-R	TL70-L24-R	TL90-L24-R
	● -Blue	TL30-L24-U	TL50-L24-U	TL70-L24-U	TL90-L24-U
	● -Amber	TL30-L24-A	TL50-L24-A	TL70-L24-A	TL90-L24-A
	●●● -RAG	TL30-L24-M3	TL50-L24-M3	TL70-L24-M3	TL90-L24-M3
120VAC	○ -Clear	TL30-L120-C	TL50-L120-C	TL70-L120-C	TL90-L120-C
	● -Green	TL30-L120-G	TL50-L120-G	TL70-L120-G	TL90-L120-G
	● -Red	TL30-L120-R	TL50-L120-R	TL70-L120-R	TL90-L120-R
	● -Blue	TL30-L120-U	TL50-L120-U	TL70-L120-U	TL90-L120-U
	● -Amber	TL30-L120-A	TL50-L120-A	TL70-L120-A	TL90-L120-A
	●●● -RAG	TL30-L120-M3	TL50-L120-M3	TL70-L120-M3	TL90-L120-M3
240VAC	○ -Clear	TL30-L240-C	TL50-L240-C	TL70-L240-C	TL90-L240-C
	● -Green	TL30-L240-G	TL50-L240-G	TL70-L240-G	TL90-L240-G
	● -Red	TL30-L240-R	TL50-L240-R	TL70-L240-R	TL90-L240-R
	● -Blue	TL30-L240-U	TL50-L240-U	TL70-L240-U	TL90-L240-U
	● -Amber	TL30-L240-A	TL50-L240-A	TL70-L240-A	TL90-L240-A
	●●● -RAG	TL30-L240-M3	TL50-L240-M3	TL70-L240-M3	TL90-L240-M3

\*TL30: Add -S for steady -F for flashing

\*TL50/TL70/TL90 lens modules have a slide switch for selecting between steady and flashing modes



## TL Tower Light

TL30 (30mm) TL50 (50mm) TL70 (70mm) TL90 (90mm)



Buzzer



Siren

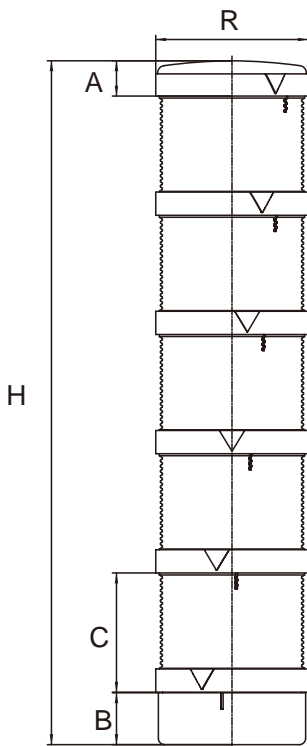
### Sound Modules

Voltage	Color	Catalog Number			
		30mm	50mm	70mm	90mm
24VAC/DC	Siren			TL70-L24-S	
	Buzzer(continuous)	TL30-L24-B	TL50-L24-B	TL70-L24-B	TL90-L24-B
	Buzzer(pulse tone)	TL30-L24-P	TL50-L24-P	TL70-L24-P	TL90-L24-P
110-120 VAC	Siren			TL70-L120-S	
	Buzzer(continuous)	TL30-L120-B	TL50-L120-B	TL70-L120-B	TL90-L120-B
	Buzzer(pulse tone)	TL30-L120-P	TL50-L120-P	TL70-L120-P	TL90-L120-P
220-240 VAC	Siren			TL70-L240-S	
	Buzzer(continuous)	TL30-L240-B	TL50-L240-B	TL70-L240-B	TL90-L240-B
	Buzzer(pulse tone)	TL30-L240-P	TL50-L240-P	TL70-L240-P	TL90-L240-P

\* Buzzer module: 95dB at 1 meter

\* Siren module: 105db at 1 meter

### Dimensions (mm):

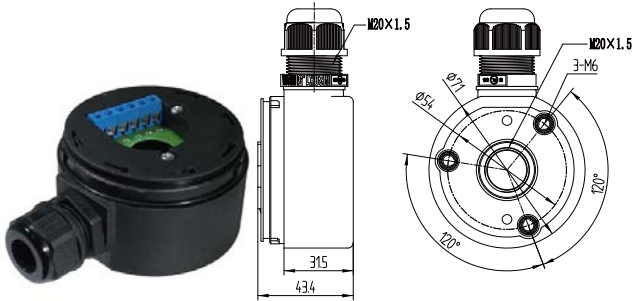


	R (Diameter)	A	B	C	H
TL30 (30mm)	30	13.0	130	45	237 (1 stack)
					282 (2 stack)
					327 (3 stack)
					371 (4 stack)
					417 (5 stack)
TL50 (50mm)	52.5	15.0	25.0	57.5	98 (1 stack)
					156 (2 stack)
					213 (3 stack)
					270 (4 stack)
					328 (5 stack)
TL70 (70mm)	73.5	17.0	25.0	57.5	99 (1 stack)
					158 (2 stack)
					215 (3 stack)
					273 (4 stack)
					330 (5 stack)
TL90 (90mm)	94.5	18.0	31.5	70	120 (1 stack)
					190 (2 stack)
					260 (3 stack)
					330 (4 stack)
					400 (5 stack)

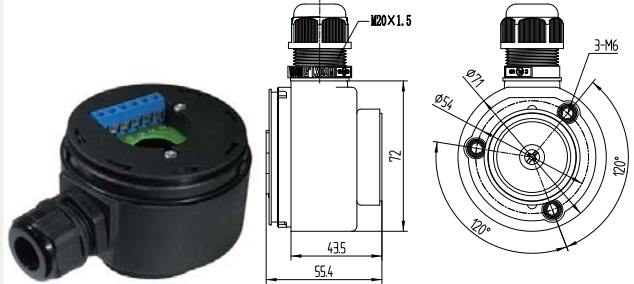
## TL Signal Tower Dimensions

### Mounting Accessories Dimensions (mm)

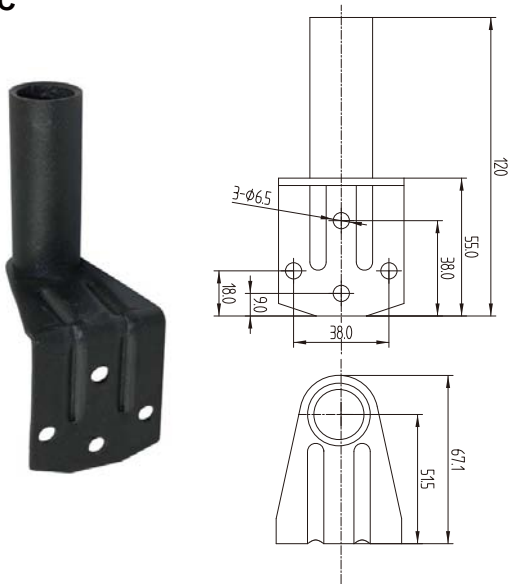
**TL-B**



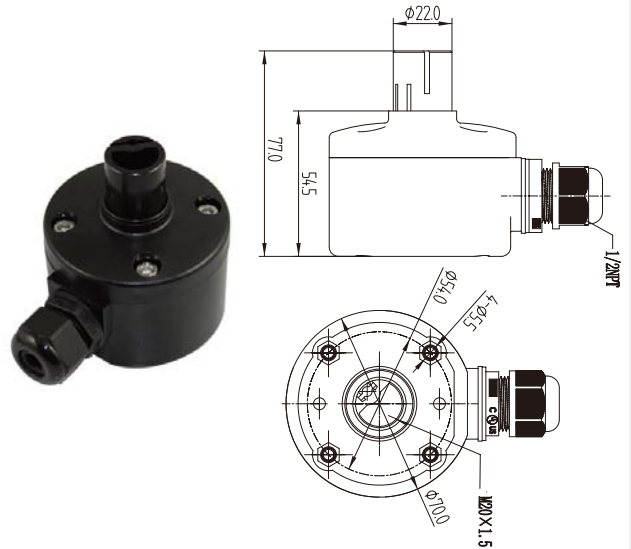
**TL-BM(magnetic mounting base)**



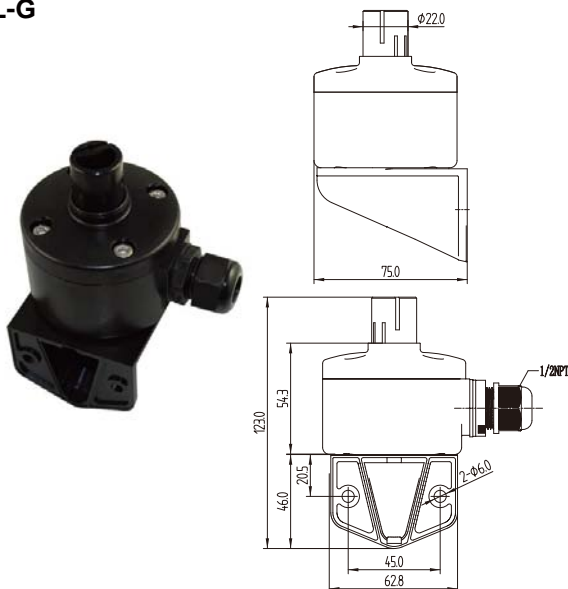
**TL-C**



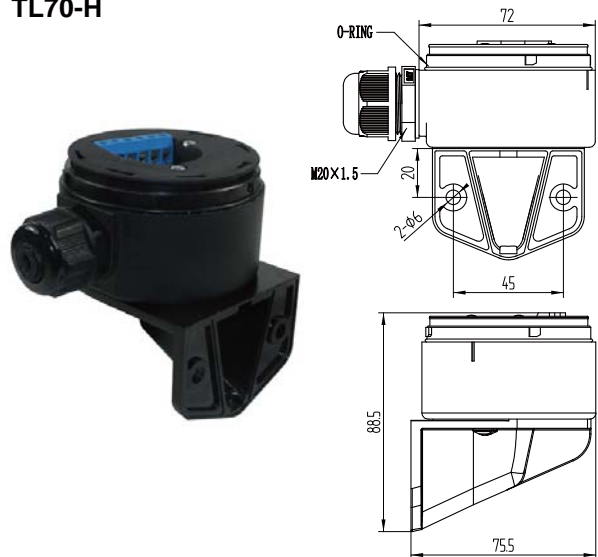
**TL-F**



**TL-G**



**TL70-H**

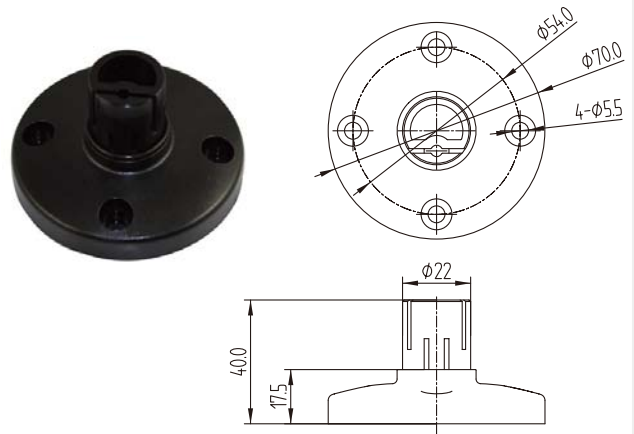


## Mounting Accessories Dimensions (mm)

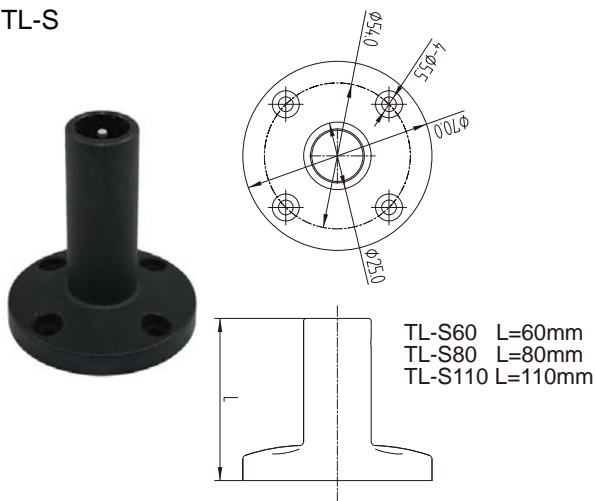
TL-M30(For 30mm mounting hole)



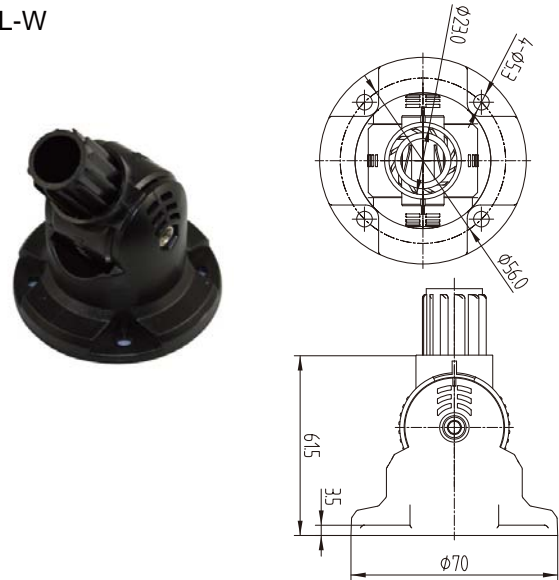
TL-P



TL-S



TL-W



TL-Z

