

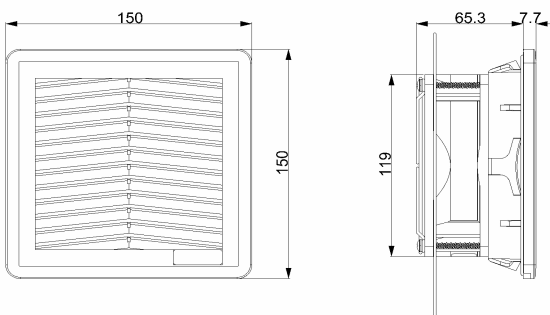
"FF12DN" SERIES FAN FILTERS

Description: **Fan Filter 24/48 Vd.c.**

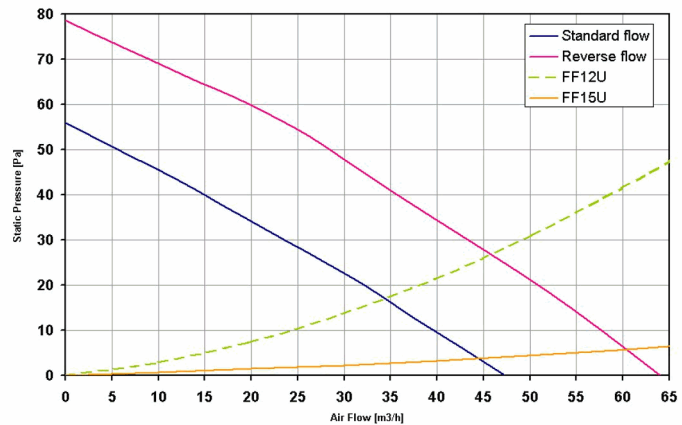
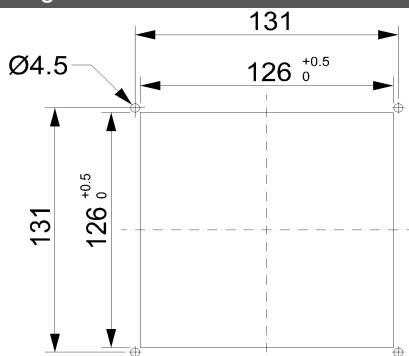


- Type of material:** PC/ABS Alloy, PA 66 GF13 HSL for elastic clips
- Standard color:** RAL 7035, other colors on request
- Protection degree:** IP54, according to EN 60529 standard
- Fixing system:** by elastic clips, otherwise by four self-threading screws
- Plate thickness:** from 1 mm to 2.1 mm
Type 12 according to UL 508 Std
- Storage temperature:** from -45°C to +75°C
- Lifetime L10 at 25°C:** 50,000 h
- Motor protection:** auto restart and polarity protection
- Electrical connection:** UL 1007 AWG24 lead wires
- Appliance class:** class III
- Type of filter media:** thermo-linked progressive structure synthetic fibre
- Filtering class:** class G3, according to EN 779
- Degree of separation:** 85% - DIN 24185
- Dust retention capacity:** 600 g/m²
- Note:** filter media is washable about 10 times
- Weight:** 0.5 Kg
- Approvals:** CE, UL E223195 / UL E237844

technical drawing



mounting cut-out



Model	Voltage (V)	Frequency (Hz)	Rated Current (A)	Rated Power (W)	Max Air Flow** (m3/h)	Static Pressure (Pa)	Noise [db(A)]	Rated Temp. Range (°C)	Approvals
FF12D24UN	24 V d.c.	-	0.310	7.4	47	56	48.0	-10 ÷ +55	CE; UR
FF12D24UNR	24 V d.c.	-	0.310	7.4	64	79	48.0	-10 ÷ +55	CE; UR
FF12D48UN	48 V d.c.	-	0.180	8.6	47	56	48.0	-10 ÷ +55	CE; UR
FF12D48UNR	48 V d.c.	-	0.180	8.6	64	79	48.0	-10 ÷ +55	CE; UR

data with uncertainty of 15%

All specifications, data and drawing are subject to change without notice and are approximate. Please refer to our terms of sales including our warranty and limited liabilities clause