


## Product information

### Field Attachable M12 Connectors - Standard Type - RKC 5/7

Industrial Connecting Solutions: Circular Connectors: M8 - M12 Connectors: M12 Connectors: M12 Circular connector acc. to IEC 61076-2-101: M12 Field Attachable Connectors: Field Attachable M12



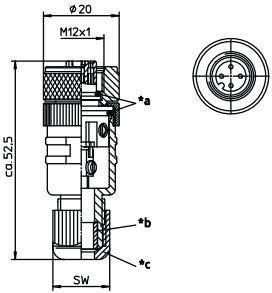
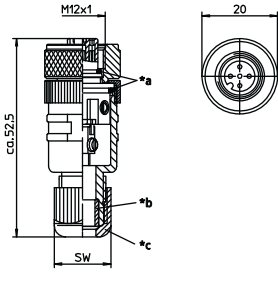
Connectors - Standard Type

[https://e-catalog.hirschmann.com:443/link/57078-24228-256281-256292-256304-58429-58478-58928/en/RKCG\\_5-7/ui/state](https://e-catalog.hirschmann.com:443/link/57078-24228-256281-256292-256304-58429-58478-58928/en/RKCG_5-7/ui/state)

Name	
Field Attachable M12 Connectors - Standard Type	
	
Field attachable connector, M12 female connector, straight version, with threaded joint, assembling with screw terminals	
Delivery informations	
Availability	available
Product description	
Type	RKC 5/7
Order No.	11220
Description	Field attachable connector, M12 female connector, straight version, with threaded joint, assembling with screw terminals
Color of housing	black
Classification	
Belden brand	Lumberg-Automation
Eclass-ID	27260702
Mechanical data	
Type of plug-in contact	Female connector
Design of housing	straight
LED display present	✘
Connectable conductor cross-section multiple wire (without sleeve)	max. 0.75 mm <sup>2</sup>
Screw joint for cable for external cable diameter	3.0 mm ... 6.5 mm
Screwed cable gland, connecting thread	SW 15
Environmental conditions	
Environmental temperature	-25 °C ... 90 °C
Degree of protection (IP), mounted	IP67
Pollution degree	3
Materials	
Housing material / Molded body	PBT
Contact bearer material	PBT
Contact material	CuZn
Contact material - Surface refinement	pre-coppered, CuSnZn
Knurled screw / nut material	CuZn, nickel-plated
Sealing material	FKM
Electrical data	
Contact resistance	≤ 5 mΩ
Rated current I <sub>n</sub>	4 A at 40°C, UL and notice derating
Nominal voltage	60 V
Rated voltage (Value)	63 V
Test voltage	1.5 kV eff./60 s
Insulation resistance	> 1 GΩ
Approvals	
Approvals	UL

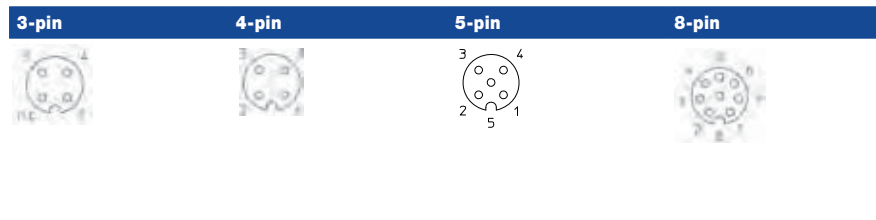
**Field Attachable M12 Connectors for Actuators and Sensors – Standard Female Connectors**

**Technical Information**

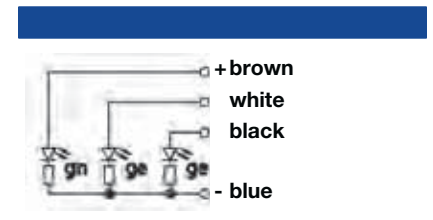
Product Description		
Order Designation	RKC	RKC/LED
		
Description	Field attachable connector, M12 female connector, straight, with screw coupling, assembly using screw-type terminals	Field attachable connector, M12 female connector, straight, with screw coupling and LED operation and function indicators, assembly using screw-type terminals, including printed circuit board
RoHS-compliant (2011/65/EU)	Yes	
(Construction Type) Standard	IEC 61076-2-101	
Approvals	UL	
Technical Data		
Ambient Temperature	-25 °C to +90 °C	
Housing Material/Grip	PBT	
Contact Holder Material	PBT	
Contact Material/Surface Finish	CuZn, copper underlay, CuSnZn (8-pin: CuZn, gold over nickel plating)	CuZn, copper underlay, CuSnZn
Screw Coupling Material	CuZn, nickel-plated	
Mechanical Data		
Degree of Protection	IP67 (only when mated to associated counterparts)	
Electrical Data		
Contact Resistance	≤ 5 mΩ	
Operating Voltage	3 to 4-pin: 230 V AC/DC, 5-pin: 50 V AC/60 V DC, 8-pin: 30 V AC/DC	24 V DC
Rated Current	4 A (8-pin 2 A)	4 A
Pollution Degree	3	
Technical Drawing		
		

\*a = O-ring • \*b = Seal • \*c = Cap nut



















## Pin Assignment



## Circuit Diagram



## Order Information

Order No.	Order Designation	No. of Pins	Terminal Type	Conductor Size	Cable Range	Characteristics
11212	RKC 4/3/7	3	screw	max. 0.75 mm <sup>2</sup>	Ø 3.0 to 6.5 mm (AF 15)	 
11213	RKC 4/3/9	3	screw	max. 0.75 mm <sup>2</sup>	Ø 4.0 to 8.0 mm (AF 19)	 
11214	RKC 4/7	4	screw	max. 0.75 mm <sup>2</sup>	Ø 3.0 to 6.5 mm (AF 15)	 
11215	RKC 4/9	4	screw	max. 0.75 mm <sup>2</sup>	Ø 4.0 to 8.0 mm (AF 19)	 
11220	RKC 5/7	5	screw	max. 0.75 mm <sup>2</sup>	Ø 3.0 to 6.5 mm (AF 15)	 
11221	RKC 5/9	5	screw	max. 0.75 mm <sup>2</sup>	Ø 4.0 to 8.0 mm (AF 19)	 
44995	RKC 8/9	8	screw	max. 0.50 mm <sup>2</sup>	Ø 4.0 to 8.0 mm (AF 19)	 
69993	RKC/LED 4/7	4	screw	max. 0.75 mm <sup>2</sup>	Ø 3.0 to 6.5 mm (AF 15)	 
93983	RKC/LED 4/9	4	screw	max. 0.75 mm <sup>2</sup>	Ø 4.0 to 8.0 mm (AF 19)	 

Conversion table mm<sup>2</sup> to AWG on page 20.

**Belden Deutschland GmbH**

Im Gewerbepark 2  
58579 Schalksmühle  
Germany  
Phone: +49 7127/14-1806  
E-Mail: [icos-sales@belden.com](mailto:icos-sales@belden.com)

The information published in the websites has been compiled as carefully as possible. It is subject to alteration without notice in technical as well as in price-related/commercial respect. The complete information and data were available on user documentation. Mandatory information can only be obtained by a concrete query.